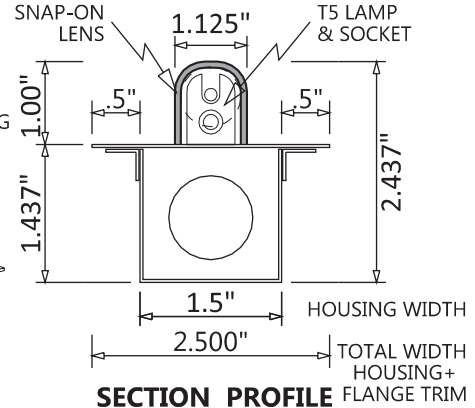
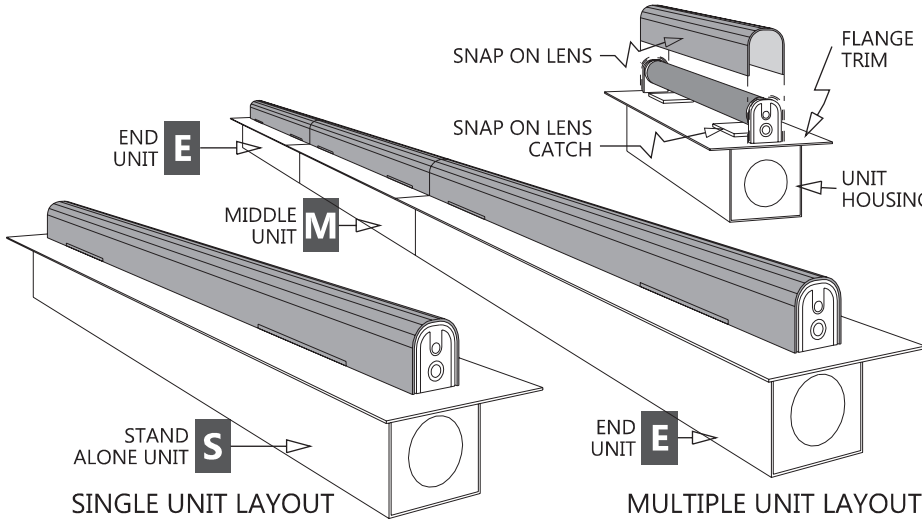
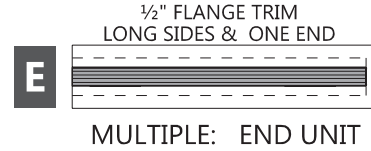
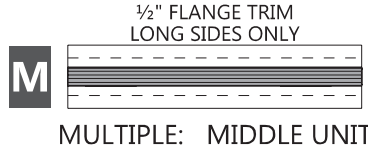
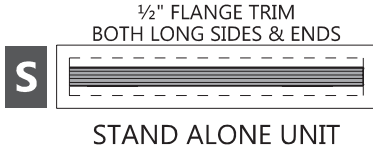


RECESSED FLUORESCENT T-5 SINGLE OR MULTIPLE UNIT WITH 1/2" SURROUNDING FLANGE TRIM & SNAP-ON LENS

AL5005

PROJECT NAME

TYPE



ACCESS	ELECTRIC	FINISH	CONSTRUCTION
SNAP-ON/OFF ACRYLIC LENS HELD WITH LENS CATCH. ONE PIECE FACE-PLATE ACCESS WITH SCREWS.	ELECTRONIC INTEGRAL INDIVIDUAL BALLAST, .98 POWER FACTOR, THD <10%.	HIGH GLOSS BAKED WHITE ENAMEL FINISH W/ REFLECTIVITY FACTOR OF 89% EFFICIENCY.	DIE-FORMED 20 GAUGE COLD ROLLED STEEL HOUSING WITH 1/2" EXTENDING FLANGE TRIM FACEPLATES FOR SINGLE OR MULTIPLE UNITS. ELECTRICALLY-WELDED END PLATES WITH KNOCK-OUTS ON EITHER END. MEETS CITY CODE REQUIREMENTS.
	LENS OPTIONS		
	C: CLEAR FINE PRISMATIC LENS WITH MOUNTING CLIPS F: FROSTED ACRYLIC LENS WITH MOUNTING CLIPS		

ORDERING INFORMATION

SERIES	LAMP CODES & UNIT LENGTHS	VOLTAGE	OPTIONS																								
AL5005																											
	<table border="1"> <thead> <tr> <th>LAMP CODE</th> <th>F14T5</th> <th>F21T5</th> <th>F28T5</th> <th>F35T5</th> </tr> </thead> <tbody> <tr> <td>HO LAMP CODE</td> <td>F24T5</td> <td>F39T5</td> <td>F54T5</td> <td>F80T5</td> </tr> </tbody> </table>	LAMP CODE	F14T5	F21T5	F28T5	F35T5	HO LAMP CODE	F24T5	F39T5	F54T5	F80T5	120 OR 277	<table border="1"> <tbody> <tr> <td>D</td> <td>DIMMING</td> </tr> <tr> <td>CR</td> <td>CUSTOM REFLECTOR (CONSULT MFG)</td> </tr> <tr> <td>EM</td> <td>EMERGENCY BALLAST</td> </tr> <tr> <td>CWB</td> <td>COLD WEATHER BALLAST 0 DEGREE</td> </tr> <tr> <td>DAMP</td> <td>DAMP LOCATION</td> </tr> <tr> <td>CC</td> <td>CUSTOM COLOR (SPECIFY)</td> </tr> <tr> <td>MOD</td> <td>MODIFICATION (CONSULT MFG)</td> </tr> </tbody> </table>	D	DIMMING	CR	CUSTOM REFLECTOR (CONSULT MFG)	EM	EMERGENCY BALLAST	CWB	COLD WEATHER BALLAST 0 DEGREE	DAMP	DAMP LOCATION	CC	CUSTOM COLOR (SPECIFY)	MOD	MODIFICATION (CONSULT MFG)
LAMP CODE	F14T5	F21T5	F28T5	F35T5																							
HO LAMP CODE	F24T5	F39T5	F54T5	F80T5																							
D	DIMMING																										
CR	CUSTOM REFLECTOR (CONSULT MFG)																										
EM	EMERGENCY BALLAST																										
CWB	COLD WEATHER BALLAST 0 DEGREE																										
DAMP	DAMP LOCATION																										
CC	CUSTOM COLOR (SPECIFY)																										
MOD	MODIFICATION (CONSULT MFG)																										
S STAND ALONE UNIT *	<table border="1"> <thead> <tr> <th>HOUSING UNIT LENGTH</th> <th>22 1/2"</th> <th>34 3/4"</th> <th>46 1/8"</th> <th>58"</th> </tr> </thead> <tbody> <tr> <td>+ FLANGE TRIM TOTAL LENGTH</td> <td>23 1/2"</td> <td>35 3/4"</td> <td>47 1/8"</td> <td>59"</td> </tr> </tbody> </table>	HOUSING UNIT LENGTH	22 1/2"	34 3/4"	46 1/8"	58"	+ FLANGE TRIM TOTAL LENGTH	23 1/2"	35 3/4"	47 1/8"	59"																
HOUSING UNIT LENGTH	22 1/2"	34 3/4"	46 1/8"	58"																							
+ FLANGE TRIM TOTAL LENGTH	23 1/2"	35 3/4"	47 1/8"	59"																							
M MULTIPLE: MIDDLE UNIT *	<table border="1"> <thead> <tr> <th>HOUSING UNIT LENGTH</th> <th>22 1/2"</th> <th>34 3/4"</th> <th>46 1/8"</th> <th>58"</th> </tr> </thead> <tbody> <tr> <td>+ FLANGE TRIM TOTAL LENGTH</td> <td>22 1/2"</td> <td>34 3/4"</td> <td>46 1/8"</td> <td>58"</td> </tr> </tbody> </table>	HOUSING UNIT LENGTH	22 1/2"	34 3/4"	46 1/8"	58"	+ FLANGE TRIM TOTAL LENGTH	22 1/2"	34 3/4"	46 1/8"	58"																
HOUSING UNIT LENGTH	22 1/2"	34 3/4"	46 1/8"	58"																							
+ FLANGE TRIM TOTAL LENGTH	22 1/2"	34 3/4"	46 1/8"	58"																							
E MULTIPLE: END UNIT *	<table border="1"> <thead> <tr> <th>HOUSING UNIT LENGTH</th> <th>22 1/2"</th> <th>34 3/4"</th> <th>46 1/8"</th> <th>58"</th> </tr> </thead> <tbody> <tr> <td>+ FLANGE TRIM TOTAL LENGTH</td> <td>23"</td> <td>34 3/4"</td> <td>46 5/8"</td> <td>58 1/2"</td> </tr> </tbody> </table>	HOUSING UNIT LENGTH	22 1/2"	34 3/4"	46 1/8"	58"	+ FLANGE TRIM TOTAL LENGTH	23"	34 3/4"	46 5/8"	58 1/2"																
HOUSING UNIT LENGTH	22 1/2"	34 3/4"	46 1/8"	58"																							
+ FLANGE TRIM TOTAL LENGTH	23"	34 3/4"	46 5/8"	58 1/2"																							
*	UNIT & TOTAL WIDTHS IDENTICAL ON ALL UNITS: 1 1/2" & 2 1/2" ~REFER TO SECTION PROFILE~																										

[FOR LAMPING INFORMATION CLICK HERE](#)

ALL FIXTURES ARE UL LISTED AND BEAR IBEW LABELS. PRODUCTS SUBJECT TO CHANGE WITHOUT NOTICE.