

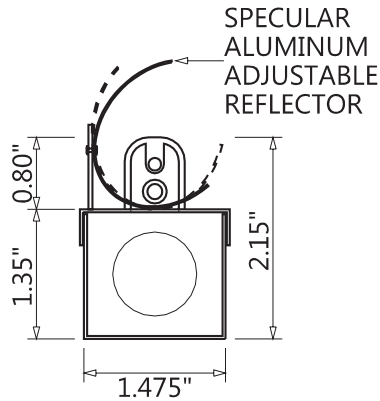
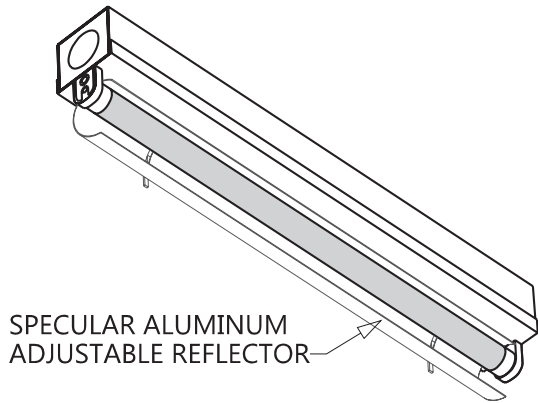
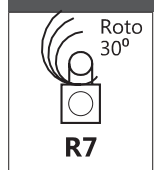
SMALL PROFILE FLUORESCENT T-5 STRIPLIGHT WITH ADJUSTABLE REFLECTOR

AL5010

PROJECT NAME

TYPE

REFLECTORS



SECTION PROFILE
SCALE: 1/2" = 1"

ACCESS	ELECTRIC	FINISH	CONSTRUCTION
ONE PIECE FACE-PLATE ACCESS WITH SCREWS. ROTATIONAL LOCKING LAMP HOLDERS	ELECTRONIC INTEGRAL INDIVIDUAL BALLAST, .98 POWER FACTOR, THD <10%.	HIGH GLOSS BAKED WHITE ENAMEL FINISH WITH REFLECTIVITY FACTOR OF 89% EFFICIENCY.	DIE-FORMED 20 GAUGE COLD ROLLED STEEL WITH ELECTRICALLY WELDED END PLATES. KNOCK-OUTS ON EITHER END. MEETS CITY CODE REQUIREMENTS.

ORDERING INFORMATION

SERIES	LAMP CODE		VOLTAGE	OPTIONS
AL5010				
	HO LAMP CODE	LAMP CODE	120 OR 277	
	1-F80T5	1-F35T5		TW TANDEM WIRING (WHEN APPLICABLE)
	1-F54T5	1-F28T5		D DIMMING
	1-F39T5	1-F21T5		EM EMERGENCY BALLAST
	1-F24T5	1-F14T5		C/P CORD & PLUG 18/3 SJ GROUNDED (SPECIFY BLACK OR WHITE UP TO 10')
		1-F8T5		CWB COLD WEATHER BALLAST 0 DEGREE
		1-F6T5		DAMP DAMP LOCATION
				CC CUSTOM COLOR (SPECIFY)
				C/O CONVENIENCE OUTLET (SPECIFY)
				A/C AIRCRAFT CABLE SUSPENSION (SPECIFY 50" OR 100" ADJ. KIT)
				SSK STEM SUSPENSION KIT (SPEC. LENGTH)
				MOD MODIFICATION (CONSULT MFG)

FOR LAMPING INFORMATION CLICK HERE

ALL FIXTURES ARE UL LISTED AND BEAR IBEW LABELS. PRODUCTS SUBJECT TO CHANGE WITHOUT NOTICE.