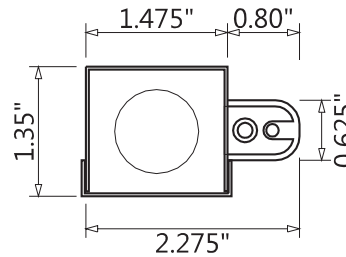
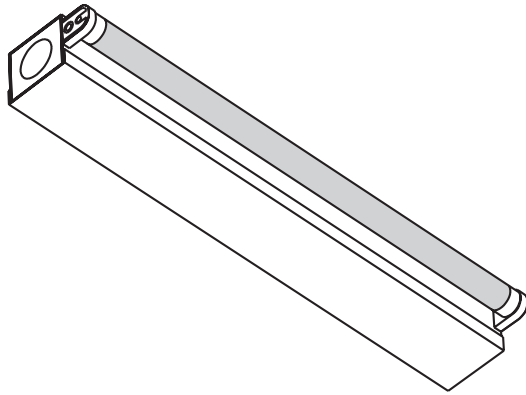


SMALL PROFILE SINGLE SIDE-MOUNT T-5 FLUORESCENT STRIPLIGHT

AL5030

PROJECT NAME

TYPE



REFLECTORS



R4

SECTION PROFILE

SCALE: 1/2" = 1"

ACCESS	ELECTRIC	FINISH	CONSTRUCTION
ONE PIECE FACE-PLATE ACCESS WITH SCREWS. ROTATIONAL LOCKING LAMP HOLDERS	ELECTRONIC INTEGRAL INDIVIDUAL BALLAST, .98 POWER FACTOR, THD <10%.	HIGH GLOSS BAKED WHITE ENAMEL FINISH WITH REFLECTIVITY FACTOR OF 89% EFFICIENCY.	DIE-FORMED 20 GAUGE COLD ROLLED STEEL WITH ELECTRICALLY WELDED END PLATES. KNOCK-OUTS ON EITHER END. MEETS CITY CODE REQUIREMENTS.

ORDERING INFORMATION

SERIES	LAMP CODE		VOLTAGE	OPTIONS
AL5030				
	HO LAMP CODE	LAMP CODE	120 OR 277	
	1-F80T5	1-F35T5		TW TANDEM WIRING (WHEN APPLICABLE)
	1-F54T5	1-F28T5		D DIMMING
	1-F39T5	1-F21T5		REF REFLECTOR (OPTIONS LISTED ABOVE)
	1-F24T5	1-F14T5		CR CUSTOM REFLECTOR (CONSULT MFG)
		1-F8T5		EM EMERGENCY BALLAST
				C/P CORD & PLUG 18/3 SJ GROUNDED (SPECIFY BLACK OR WHITE UP TO 10')
				CWB COLD WEATHER BALLAST 0 DEGREE
				DAMP DAMP LOCATION
				CC CUSTOM COLOR (SPECIFY)
				C/O CONVENIENCE OUTLET (SPECIFY)
				MOD MODIFICATION (CONSULT MFG)

[FOR LAMPING INFORMATION CLICK HERE](#)

ALL FIXTURES ARE UL LISTED AND BEAR IBEW LABELS. PRODUCTS SUBJECT TO CHANGE WITHOUT NOTICE.