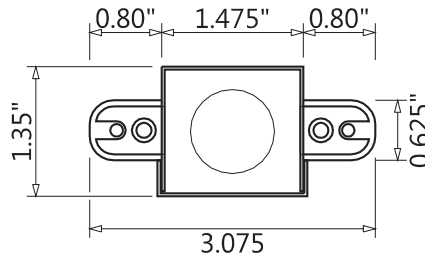
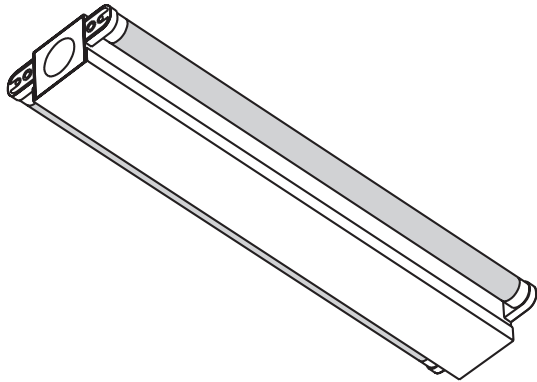


# SMALL PROFILE DOUBLE SIDE-MOUNT T-5 FLUORESCENT STRIPLIGHT

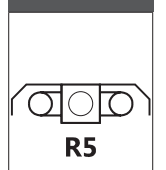
**AL5040**

PROJECT NAME

TYPE



REFLECTORS



SECTION PROFILE  
SCALE: 1/2" = 1"

ACCESS	ELECTRIC	FINISH	CONSTRUCTION
ONE PIECE FACE-PLATE ACCESS WITH SCREWS. ROTATIONAL LOCKING LAMP HOLDERS	ELECTRONIC INTEGRAL INDIVIDUAL BALLAST, .98 POWER FACTOR, THD <10%.	HIGH GLOSS BAKED WHITE ENAMEL FINISH WITH REFLECTIVITY FACTOR OF 89% EFFICIENCY.	DIE-FORMED 20 GAUGE COLD ROLLED STEEL WITH ELECTRICALLY WELDED END PLATES. KNOCK-OUTS ON EITHER END. MEETS CITY CODE REQUIREMENTS.

## ORDERING INFORMATION

SERIES	LAMP CODE	VOLTAGE	OPTIONS																																													
<b>AL5040</b>																																																
<table border="1"> <thead> <tr> <th>HO LAMP CODE</th> <th>LAMP CODE</th> <th>OVERALL LENGTH</th> </tr> </thead> <tbody> <tr> <td>2-F80T5</td> <td>2-F35T5</td> <td>58"</td> </tr> <tr> <td>2-F54T5</td> <td>2-F28T5</td> <td>46 1/8"</td> </tr> <tr> <td>2-F39T5</td> <td>2-F21T5</td> <td>34 1/4"</td> </tr> <tr> <td>2-F24T5</td> <td>2-F14T5</td> <td>22 1/2"</td> </tr> <tr> <td></td> <td>2-F8T5</td> <td>12 1/8"</td> </tr> </tbody> </table>	HO LAMP CODE	LAMP CODE	OVERALL LENGTH	2-F80T5	2-F35T5	58"	2-F54T5	2-F28T5	46 1/8"	2-F39T5	2-F21T5	34 1/4"	2-F24T5	2-F14T5	22 1/2"		2-F8T5	12 1/8"		<table border="1"> <tbody> <tr> <td><b>120</b></td> <td rowspan="2">OR</td> <td><b>277</b></td> </tr> <tr> <td></td> <td></td> </tr> </tbody> </table>	<b>120</b>	OR	<b>277</b>			<table border="1"> <tbody> <tr> <td><b>TW</b></td> <td>TANDEM WIRING (WHEN APPLICABLE)</td> </tr> <tr> <td><b>D</b></td> <td>DIMMING</td> </tr> <tr> <td><b>REF</b></td> <td>REFLECTOR (OPTIONS LISTED ABOVE)</td> </tr> <tr> <td><b>CR</b></td> <td>CUSTOM REFLECTOR (CONSULT MFG)</td> </tr> <tr> <td><b>EM</b></td> <td>EMERGENCY BALLAST</td> </tr> <tr> <td><b>C/P</b></td> <td>CORD &amp; PLUG 18/3 SJ GROUNDED (SPECIFY BLACK OR WHITE UP TO 10')</td> </tr> <tr> <td><b>CWB</b></td> <td>COLD WEATHER BALLAST 0 DEGREE</td> </tr> <tr> <td><b>DAMP</b></td> <td>DAMP LOCATION</td> </tr> <tr> <td><b>CC</b></td> <td>CUSTOM COLOR (SPECIFY)</td> </tr> <tr> <td><b>C/O</b></td> <td>CONVENIENCE OUTLET (SPECIFY)</td> </tr> <tr> <td><b>MOD</b></td> <td>MODIFICATION (CONSULT MFG)</td> </tr> </tbody> </table>	<b>TW</b>	TANDEM WIRING (WHEN APPLICABLE)	<b>D</b>	DIMMING	<b>REF</b>	REFLECTOR (OPTIONS LISTED ABOVE)	<b>CR</b>	CUSTOM REFLECTOR (CONSULT MFG)	<b>EM</b>	EMERGENCY BALLAST	<b>C/P</b>	CORD & PLUG 18/3 SJ GROUNDED (SPECIFY BLACK OR WHITE UP TO 10')	<b>CWB</b>	COLD WEATHER BALLAST 0 DEGREE	<b>DAMP</b>	DAMP LOCATION	<b>CC</b>	CUSTOM COLOR (SPECIFY)	<b>C/O</b>	CONVENIENCE OUTLET (SPECIFY)	<b>MOD</b>	MODIFICATION (CONSULT MFG)
HO LAMP CODE	LAMP CODE	OVERALL LENGTH																																														
2-F80T5	2-F35T5	58"																																														
2-F54T5	2-F28T5	46 1/8"																																														
2-F39T5	2-F21T5	34 1/4"																																														
2-F24T5	2-F14T5	22 1/2"																																														
	2-F8T5	12 1/8"																																														
<b>120</b>	OR	<b>277</b>																																														
<b>TW</b>	TANDEM WIRING (WHEN APPLICABLE)																																															
<b>D</b>	DIMMING																																															
<b>REF</b>	REFLECTOR (OPTIONS LISTED ABOVE)																																															
<b>CR</b>	CUSTOM REFLECTOR (CONSULT MFG)																																															
<b>EM</b>	EMERGENCY BALLAST																																															
<b>C/P</b>	CORD & PLUG 18/3 SJ GROUNDED (SPECIFY BLACK OR WHITE UP TO 10')																																															
<b>CWB</b>	COLD WEATHER BALLAST 0 DEGREE																																															
<b>DAMP</b>	DAMP LOCATION																																															
<b>CC</b>	CUSTOM COLOR (SPECIFY)																																															
<b>C/O</b>	CONVENIENCE OUTLET (SPECIFY)																																															
<b>MOD</b>	MODIFICATION (CONSULT MFG)																																															
<b>FOR LAMPING INFORMATION CLICK HERE</b>																																																

ALL FIXTURES ARE UL LISTED AND BEAR IBEW LABELS. PRODUCTS SUBJECT TO CHANGE WITHOUT NOTICE.