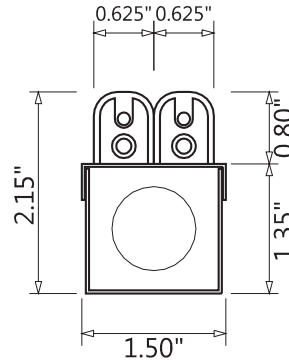
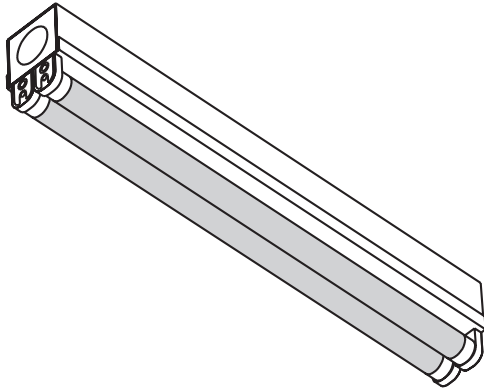


# 1.5" WIDE SMALL PROFILE DUAL T-5 FLUORESCENT STRIPLIGHT

**AL5110**

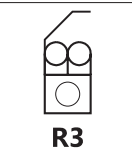
PROJECT NAME

TYPE



SECTION PROFILE  
SCALE: 1/2" = 1"

**REFLECTORS**



ACCESS	ELECTRIC	FINISH	CONSTRUCTION
ONE PIECE FACE-PLATE ACCESS WITH SCREWS. ROTATIONAL LOCKING LAMP HOLDERS	ELECTRONIC INTEGRAL INDIVIDUAL BALLAST, .98 POWER FACTOR, THD <10%.	HIGH GLOSS BAKED WHITE ENAMEL FINISH WITH REFLECTIVITY FACTOR OF 89% EFFICIENCY.	DIE-FORMED 20 GAUGE COLD ROLLED STEEL WITH ELECTRICALLY WELDED END PLATES. KNOCK-OUTS ON EITHER END. MEETS CITY CODE REQUIREMENTS.

**ORDERING INFORMATION**

SERIES	LAMP CODE		VOLTAGE	OPTIONS
<b>AL5110</b>				
	HO LAMP CODE	LAMP CODE	OVERALL LENGTH	
	2-F80T5	2-F35T5	58"	
	2-F54T5	2-F28T5	46 1/8"	
	2-F39T5	2-F21T5	34 1/4"	
	2-F24T5	2-F14T5	22 1/2"	
			120 OR 277	
				<b>TW</b> TANDEM WIRING (WHEN APPLICABLE) <b>D</b> DIMMING <b>REF</b> REFLECTOR (OPTIONS LISTED ABOVE) <b>CR</b> CUSTOM REFLECTOR (CONSULT MFG) <b>WG</b> WIRE GUARD <b>EM</b> EMERGENCY BALLAST <b>C/P</b> CORD & PLUG 18/3 SJ GROUNDED (SPECIFY BLACK OR WHITE UP TO 10') <b>CWB</b> COLD WEATHER BALLAST 0 DEGREE <b>DAMP</b> DAMP LOCATION <b>CC</b> CUSTOM COLOR (SPECIFY) <b>A/C</b> AIRCRAFT CABLE SUSPENSION (SPECIFY 50" OR 100" ADJ. KIT) <b>SSK</b> STEM SUSPENSION KIT (SPEC. LENGTH) <b>MOD</b> MODIFICATION (CONSULT MFG)

**FOR LAMPING INFORMATION CLICK HERE**

ALL FIXTURES ARE UL LISTED AND BEAR IBEW LABELS. PRODUCTS SUBJECT TO CHANGE WITHOUT NOTICE.