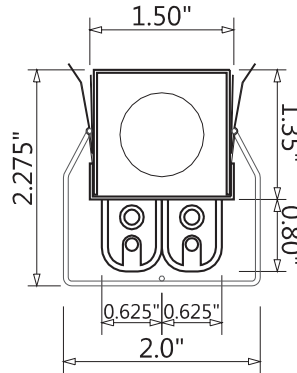
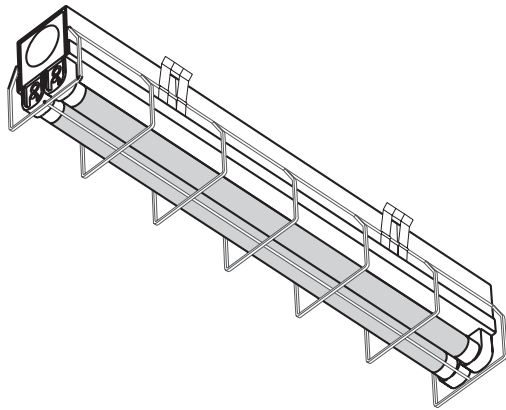


# 1.5" WIDE SMALL PROFILE DUAL T-5 FLUORESCENT STRIPLIGHT WITH WIREGUARD

**AL5120**

PROJECT NAME

TYPE



SECTION PROFILE  
SCALE: 1/2" = 1"

ACCESS	ELECTRIC	FINISH	CONSTRUCTION
ONE PIECE FACE-PLATE ACCESS WITH SCREWS. ROTATIONAL LOCKING LAMP HOLDERS	ELECTRONIC INTEGRAL INDIVIDUAL BALLAST, .98 POWER FACTOR, THD <10%.	HIGH GLOSS BAKED WHITE ENAMEL FINISH WITH REFLECTIVITY FACTOR OF 89% EFFICIENCY.	DIE-FORMED 20 GAUGE COLD ROLLED STEEL WITH ELECTRICALLY WELDED END PLATES. KNOCK-OUTS ON EITHER END. MEETS CITY CODE REQUIREMENTS.

## ORDERING INFORMATION

SERIES	LAMP CODE		VOLTAGE	OPTIONS
AL5120				
	HO LAMP CODE	LAMP CODE	120 OR 277	TW TANDEM WIRING (WHEN APPLICABLE)
	2-F80T5	2-F35T5		D DIMMING
	2-F54T5	2-F28T5		EM EMERGENCY BALLAST
	2-F39T5	2-F21T5		C/P CORD & PLUG 18/3 SJ GROUNDED (SPECIFY BLACK OR WHITE UP TO 10')
	2-F24T5	2-F14T5		CWB COLD WEATHER BALLAST 0 DEGREE
		OVERALL LENGTH		DAMP DAMP LOCATION
		58"		CC CUSTOM COLOR (SPECIFY)
		46 1/8"		A/C AIRCRAFT CABLE SUSPENSION (SPECIFY 50" OR 100" ADJ. KIT)
		34 1/4"		SSK STEM SUSPENSION KIT (SPEC. LENGTH)
		22 1/2"		MOD MODIFICATION (CONSULT MFG)

[FOR LAMPING INFORMATION CLICK HERE](#)

ALL FIXTURES ARE UL LISTED AND BEAR IBEW LABELS. PRODUCTS SUBJECT TO CHANGE WITHOUT NOTICE.