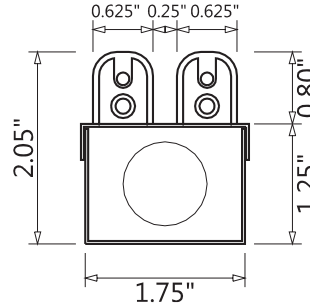
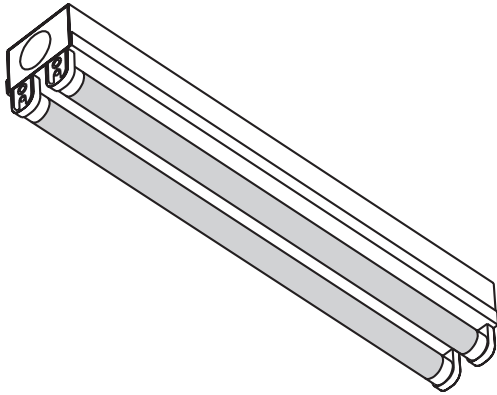


1.75" WIDE SMALLER PROFILE DUAL T-5 FLUORESCENT STRIPLIGHT

AL5140

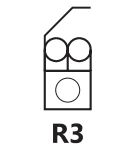
PROJECT NAME

TYPE



SECTION PROFILE
SCALE: 1/2" = 1"

REFLECTORS



ACCESS	ELECTRIC	FINISH	CONSTRUCTION
ONE PIECE FACE-PLATE ACCESS WITH SCREWS. ROTATIONAL LOCKING LAMP HOLDERS	ELECTRONIC INTEGRAL INDIVIDUAL BALLAST, .98 POWER FACTOR, THD <10%.	HIGH GLOSS BAKED WHITE ENAMEL FINISH WITH REFLECTIVITY FACTOR OF 89% EFFICIENCY.	DIE-FORMED 20 GAUGE COLD ROLLED STEEL WITH ELECTRICALLY WELDED END PLATES. KNOCK-OUTS ON EITHER END. MEETS CITY CODE REQUIREMENTS.

ORDERING INFORMATION

SERIES	LAMP CODE		VOLTAGE	OPTIONS
AL5140				
	HO LAMP CODE	LAMP CODE	120 OR 277	
	2-F80T5	2-F35T5		TW TANDEM WIRING (WHEN APPLICABLE)
	2-F54T5	2-F28T5		D DIMMING
	2-F39T5	2-F21T5		REF REFLECTOR (OPTIONS LISTED ABOVE)
	2-F24T5	2-F14T5		CR CUSTOM REFLECTOR (CONSULT MFG)
		2-F8T5		WG WIRE GUARD
		2-F6T5		EM EMERGENCY BALLAST
				C/P CORD & PLUG 18/3 SJ GROUNDED (SPECIFY BLACK OR WHITE UP TO 10')
				CWB COLD WEATHER BALLAST 0 DEGREE
				DAMP DAMP LOCATION
				CC CUSTOM COLOR (SPECIFY)
				A/C AIRCRAFT CABLE SUSPENSION (SPECIFY 50" OR 100" ADJ. KIT)
				SSK STEM SUSPENSION KIT (SPEC. LENGTH)
				MOD MODIFICATION (CONSULT MFG)

FOR LAMPING INFORMATION CLICK HERE

ALL FIXTURES ARE UL LISTED AND BEAR IBEW LABELS. PRODUCTS SUBJECT TO CHANGE WITHOUT NOTICE.