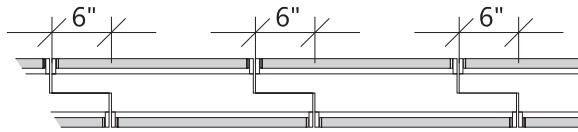


6" STAGGERED SMALL PROFILE DOUBLE SIDE-MOUNT FLUORESCENT T-5 STRIPLIGHT

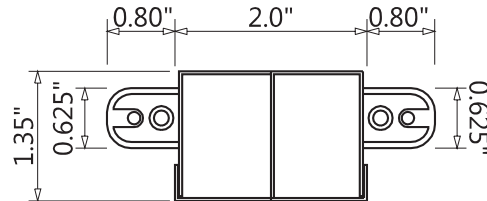
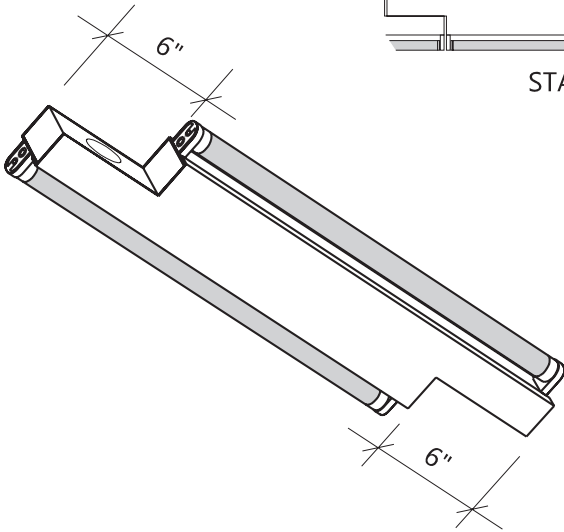
AL5180

PROJECT NAME

TYPE

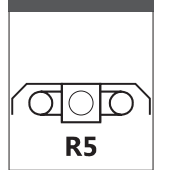


STAGGER DIAGRAM



SECTION PROFILE
SCALE: 1/2" = 1"

REFLECTORS



ACCESS	ELECTRIC	FINISH	CONSTRUCTION
ONE PIECE FACE-PLATE ACCESS WITH SCREWS. ROTATIONAL LOCKING LAMP HOLDERS	ELECTRONIC INTEGRAL INDIVIDUAL BALLAST, .98 POWER FACTOR, THD <10%.	HIGH GLOSS BAKED WHITE ENAMEL FINISH WITH REFLECTIVITY FACTOR OF 89% EFFICIENCY.	DIE-FORMED 20 GAUGE COLD ROLLED STEEL WITH ELECTRICALLY WELDED END PLATES. KNOCK-OUTS ON EITHER END. MEETS CITY CODE REQUIREMENTS.

ORDERING INFORMATION

SERIES	LAMP CODE			VOLTAGE	OPTIONS
AL5180	HO LAMP CODE	LAMP CODE	OVERALL LENGTH	120 OR 277	<p>TW TANDEM WIRING (WHEN APPLICABLE)</p> <p>D DIMMING</p> <p>REF REFLECTOR (OPTIONS LISTED ABOVE)</p> <p>CR CUSTOM REFLECTOR (CONSULT MFG)</p> <p>EM EMERGENCY BALLAST</p> <p>C/P CORD & PLUG 18/3 SJ GROUNDED (SPECIFY BLACK OR WHITE UP TO 10')</p> <p>CWB COLD WEATHER BALLAST 0 DEGREE</p> <p>DAMP DAMP LOCATION</p> <p>CC CUSTOM COLOR (SPECIFY)</p> <p>MOD MODIFICATION (CONSULT MFG)</p>
	2-F80T5	2-F35T5	64"		
	2-F54T5	2-F28T5	52 1/8"		
	2-F39T5	2-F21T5	40 1/4"		
	2-F24T5	2-F14T5	28 1/2"		

[FOR LAMPING INFORMATION CLICK HERE](#)

ALL FIXTURES ARE UL LISTED AND BEAR IBEW LABELS. PRODUCTS SUBJECT TO CHANGE WITHOUT NOTICE.