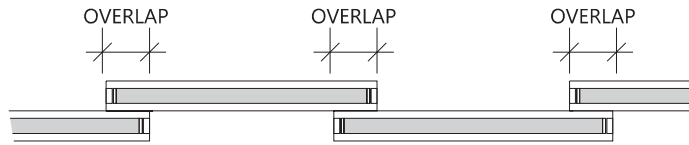


3" OR 6" OVERLAP FLUORESCENT T-5 STRIPLIGHT WITH INTEGRAL BALLAST

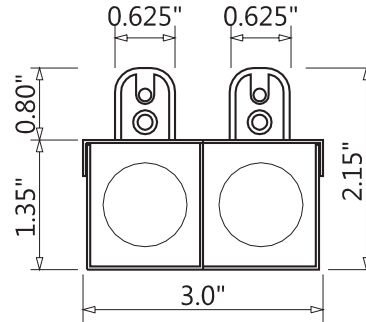
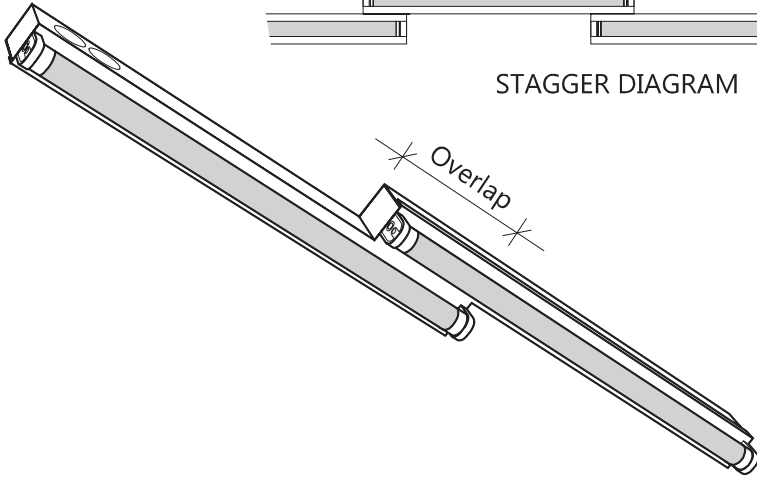
AL5210

PROJECT NAME

TYPE

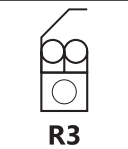


STAGGER DIAGRAM



SECTION PROFILE
SCALE: 1/2" = 1"

REFLECTORS



ACCESS	ELECTRIC	FINISH	CONSTRUCTION
ONE PIECE FACE-PLATE ACCESS WITH SCREWS. ROTATIONAL LOCKING LAMP HOLDERS	ELECTRONIC INTEGRAL INDIVIDUAL BALLAST, .98 POWER FACTOR, THD <10%.	HIGH GLOSS BAKED WHITE ENAMEL FINISH WITH REFLECTIVITY FACTOR OF 89% EFFICIENCY.	DIE-FORMED 20 GAUGE COLD ROLLED STEEL WITH ELECTRICALLY WELDED END PLATES. KNOCK-OUTS ON EITHER END. MEETS CITY CODE REQUIREMENTS.

ORDERING INFORMATION

SERIES	LAMP CODE				VOLTAGE	OPTIONS
AL5210						
	HO LAMP CODE	LAMP CODE	OVERLAP	OVERALL LENGTH	120 OR 277	D DIMMING REF REFLECTOR (OPTIONS LISTED ABOVE) CR CUSTOM REFLECTOR (CONSULT MFG) EM EMERGENCY BALLAST C/P CORD & PLUG 18/3 SJ GROUNDED (SPECIFY BLACK OR WHITE UP TO 10') CWB COLD WEATHER BALLAST 0 DEGREE DAMP DAMP LOCATION CC CUSTOM COLOR (SPECIFY) MOD MODIFICATION (CONSULT MFG)
	2-F80T5	2-F35T5	3" 6"	113" 110"		
	2-F54T5	2-F28T5	3" 6"	89 1/4" 86 1/4"		
	2-F39T5	2-F21T5	3" 6"	65 1/2" 62 1/2"		
	2-F24T5	2-F14T5	3" 6"	42" 39"		

FOR LAMPING INFORMATION CLICK HERE

ALL FIXTURES ARE UL LISTED AND BEAR IBEW LABELS. PRODUCTS SUBJECT TO CHANGE WITHOUT NOTICE.