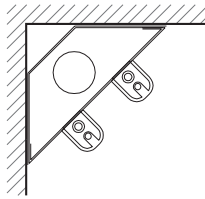


SMALL PROFILE DUAL T-5 - CORNER UNIT FLUORESCENT STRIPLIGHT

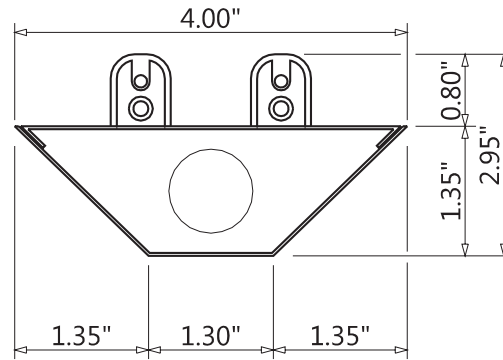
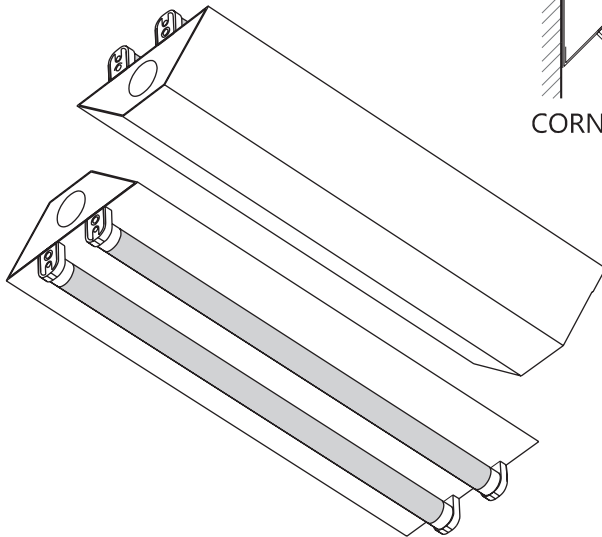
AL5220

PROJECT NAME

TYPE



CORNER DIAGRAM



SECTION PROFILE

SCALE: 1/2" = 1"

ACCESS	ELECTRIC	FINISH	CONSTRUCTION
ONE PIECE FACE-PLATE ACCESS WITH SCREWS. ROTATIONAL LOCKING LAMP HOLDERS	ELECTRONIC INTEGRAL INDIVIDUAL BALLAST, .98 POWER FACTOR, THD <10%.	HIGH GLOSS BAKED WHITE ENAMEL FINISH WITH REFLECTIVITY FACTOR OF 89% EFFICIENCY.	DIE-FORMED 20 GAUGE COLD ROLLED STEEL WITH ELECTRICALLY WELDED END PLATES. KNOCK-OUTS ON EITHER END. MEETS CITY CODE REQUIREMENTS.

ORDERING INFORMATION

SERIES	LAMP CODE			VOLTAGE	OPTIONS
AL5220				120 OR 277	
	HO LAMP CODE	LAMP CODE	OVERALL LENGTH		
	2-F80T5	2-F35T5	58"		TW TANDEM WIRING (WHEN APPLICABLE)
	2-F54T5	2-F28T5	46 1/8"		D DIMMING
	2-F39T5	2-F21T5	34 1/4"		CR CUSTOM REFLECTOR (CONSULT MFG)
	2-F24T5	2-F14T5	22 1/2"		EM EMERGENCY BALLAST
					C/P CORD & PLUG 18/3 SJ GROUNDED (SPECIFY BLACK OR WHITE UP TO 10')
					CWB COLD WEATHER BALLAST 0 DEGREE
					DAMP DAMP LOCATION
					CC CUSTOM COLOR (SPECIFY)
					MOD MODIFICATION (CONSULT MFG)
CONSULT FACTORY FOR CUSTOM LONG RUNS					
FOR LAMPING INFORMATION CLICK HERE					

ALL FIXTURES ARE UL LISTED AND BEAR IBEW LABELS. PRODUCTS SUBJECT TO CHANGE WITHOUT NOTICE.