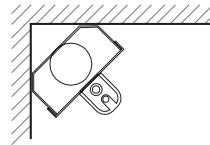


CHAMFER PROFILE SINGLE T-5 FLUORESCENT STRIPLIGHT CORNER UNIT

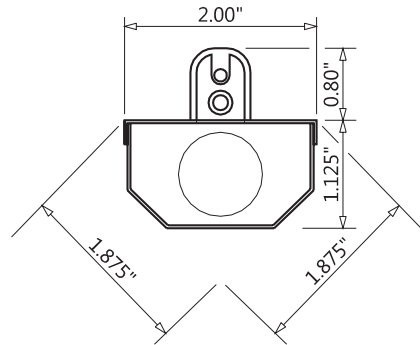
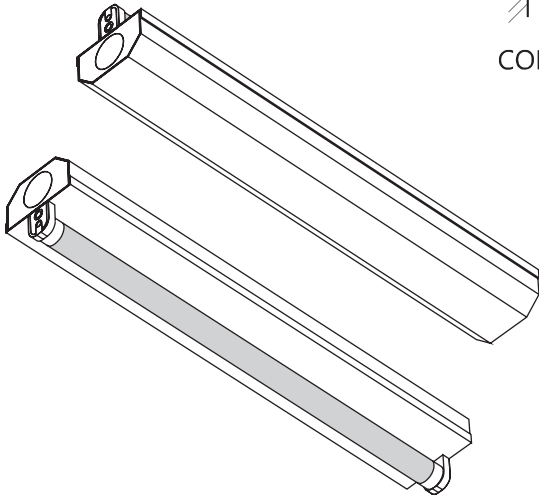
AL5240

PROJECT NAME

TYPE



CORNER DIAGRAM



SECTION PROFILE
SCALE: 1/2" = 1"

ACCESS	ELECTRIC	FINISH	CONSTRUCTION
ONE PIECE FACE-PLATE ACCESS WITH SCREWS. ROTATIONAL LOCKING LAMP HOLDERS	ELECTRONIC INTEGRAL INDIVIDUAL BALLAST, .98 POWER FACTOR, THD <10%.	HIGH GLOSS BAKED WHITE ENAMEL FINISH WITH REFLECTIVITY FACTOR OF 89% EFFICIENCY.	DIE-FORMED 20 GAUGE COLD ROLLED STEEL WITH ELECTRICALLY WELDED END PLATES. KNOCK-OUTS ON EITHER END. MEETS CITY CODE REQUIREMENTS.

ORDERING INFORMATION

SERIES	LAMP CODE			VOLTAGE	OPTIONS
AL5240				120 OR 277	
	HO LAMP CODE	LAMP CODE	OVERALL LENGTH		
	1-F80T5	1-F35T5	58"		D DIMMING
	1-F54T5	1-F28T5	46 1/8"		CR CUSTOM REFLECTOR (CONSULT MFG)
	1-F39T5	1-F21T5	34 1/4"		WG WIRE GUARD
	1-F24T5	1-F14T5	22 1/2"		EM EMERGENCY BALLAST
		1-F8T5	12 1/8"		C/P CORD & PLUG 18/3 SJ GROUNDED (SPECIFY BLACK OR WHITE UP TO 10')
					CWB COLD WEATHER BALLAST 0 DEGREE
					DAMP DAMP LOCATION
					CC CUSTOM COLOR (SPECIFY)
					MOD MODIFICATION (CONSULT MFG)

**CONSULT FACTORY FOR
CUSTOM LONG RUNS**

[FOR LAMPING INFORMATION CLICK HERE](#)

ALL FIXTURES ARE UL LISTED AND BEAR IBEW LABELS. PRODUCTS SUBJECT TO CHANGE WITHOUT NOTICE.