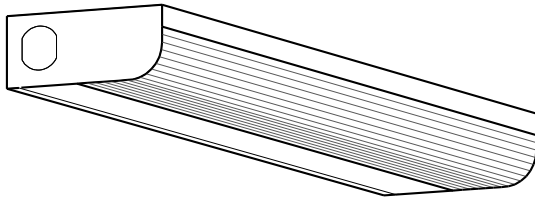


# FLUORESCENT T-5 SNAP-TOGETHER LIGHT FOR UNDER CABINET APPLICATION (SEE AL2050 FOR T-2 LIGHT)

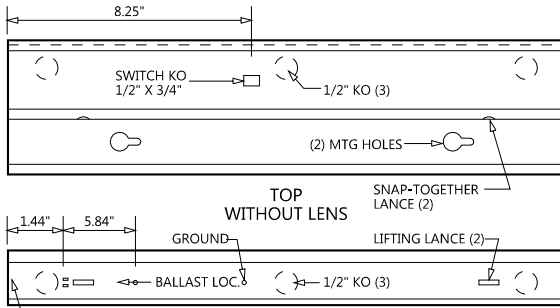
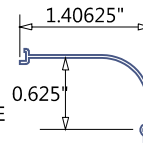
**AL5250**

PROJECT NAME

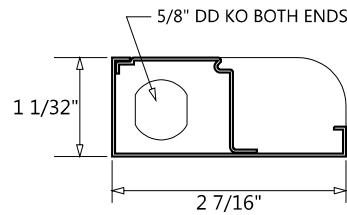
TYPE



LENS:  
LINEAR PRISMATIC  
CLEAR POLYCARBONATE



DIAGRAMS  
NOT TO SCALE



SECTION PROFILE  
SCALE: 1/2" = 1"

ACCESS	ELECTRIC	FINISH	CONSTRUCTION
SNAP-TOGETHER BODY AND BALLAST COVER, NO FASTENERS.	ELECTRONIC BALLAST, .98 POWER FACTOR, THD <10%.	WHITE CUSTOM COLOR	DIE-FORMED 20 GAUGE COLD ROLLED STEEL WITH ELECTRICALLY WELDED END PLATES. KO FOR MINATURE ROCKER SWITCH. 5/8" KO BOTH ENDS 1/2" KO, 3 ALONG FIXTURE.
LENS -OPTIONS		APPLICATION	
CLEAR LINEAR PRISMATIC POLYCARBONATE LENS OR ACRYLIC LENS.		- UNDERCABINET - DISPLAY - STORE FIXTURE	

## ORDERING INFORMATION

SERIES	T-5 LAMP CODE	VOLTAGE	OPTIONS	
<b>AL5250</b>				
FOR T2 LAMP CODES SEE AL2050	T-5 Lamp Code	120 or 277	C/P CORD & PLUG 18/3 SJ GROUNDED (SPECIFY BLACK OR WHITE UP TO 10')	
	1-F35T5		57 31/32"	CWB COLD WEATHER BALLAST 0 DEGREE
	1-F28T5		46 7/32"	CC CUSTOM COLOR (SPECIFY)
	2-F13T5 T		42 13/32"	SW SWITCH
	1-F21T5		34 7/16"	MOD MODIFICATION (CONSULT MFG)
	1-F8T5 + 1-F13T5 T		33 13/32"	
	2-F8T5 T		24 13/32"	
	1-F14T5		22 19/32"	
	1-F13T5		21 9/32"	
	1-F8T5		12 9/32"	
1-F6T5	9 9/32"			

(T) = TANDEM

[FOR LAMPING INFORMATION CLICK HERE](#)

ALL FIXTURES ARE UL LISTED AND BEAR IBEW LABELS. PRODUCTS SUBJECT TO CHANGE WITHOUT NOTICE.