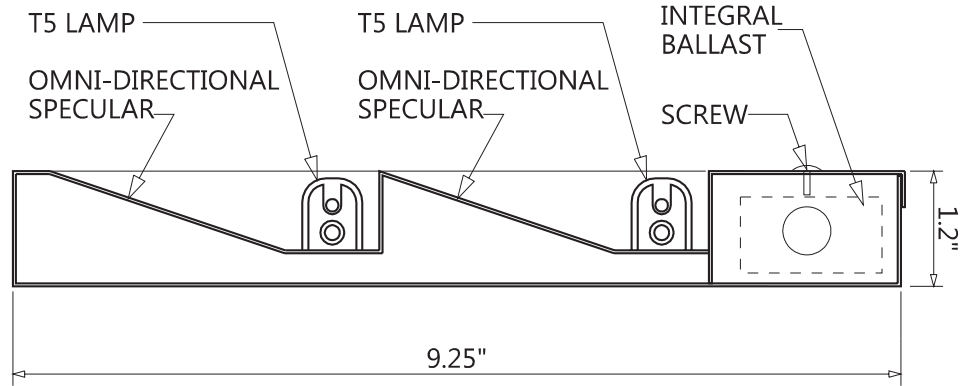
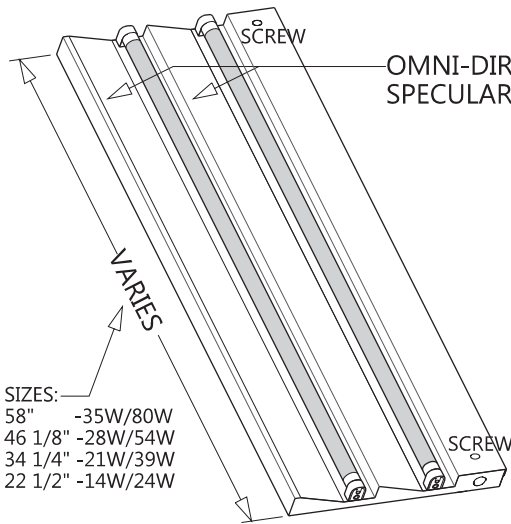


# 2 LAMP T-5 OMNI-DIRECTIONAL COVE LIGHT FLUORESCENT WITH INTEGRAL BALLAST

**AL5260**

PROJECT NAME

TYPE



SECTION PROFILE  
SCALE: 1/2" = 1"

ACCESS	ELECTRIC	FINISH	CONSTRUCTION
ONE PIECE FACE-PLATE ACCESS WITH SCREWS. ROTATIONAL LOCKING LAMP HOLDERS	ELECTRONIC INTEGRAL INDIVIDUAL BALLAST, .98 POWER FACTOR, THD <10%.	HIGH GLOSS BAKED WHITE ENAMEL FINISH WITH REFLECTIVITY FACTOR OF 89% EFFICIENCY.	DIE-FORMED 20 GAUGE COLD ROLLED STEEL WITH ELECTRICALLY WELDED END PLATES. KNOCK-OUTS ON EITHER END. MEETS CITY CODE REQUIREMENTS.

## ORDERING INFORMATION

SERIES	LAMP CODE			VOLTAGE	OPTIONS
AL5260					
	HO LAMP CODE	LAMP CODE	OVERALL LENGTH	120 OR 277	<b>D</b> DIMMING <b>EM</b> EMERGENCY BALLAST <b>C/P</b> CORD & PLUG 18/3 SJ GROUNDED (SPECIFY BLACK OR WHITE UP TO 10') <b>CWB</b> COLD WEATHER BALLAST 0 DEGREE <b>DAMP</b> DAMP LOCATION <b>CC</b> CUSTOM COLOR (SPECIFY) <b>MOD</b> MODIFICATION (CONSULT MFG)
	2-F80T5 2-F54T5 2-F39T5 2-F24T5	2-F35T5 2-F28T5 2-F21T5 2-F14T5	58" 46 1/8" 34 1/4" 22 1/2"		
<b>FOR LAMPING INFORMATION CLICK HERE</b>					

ALL FIXTURES ARE UL LISTED AND BEAR IBEW LABELS. PRODUCTS SUBJECT TO CHANGE WITHOUT NOTICE.