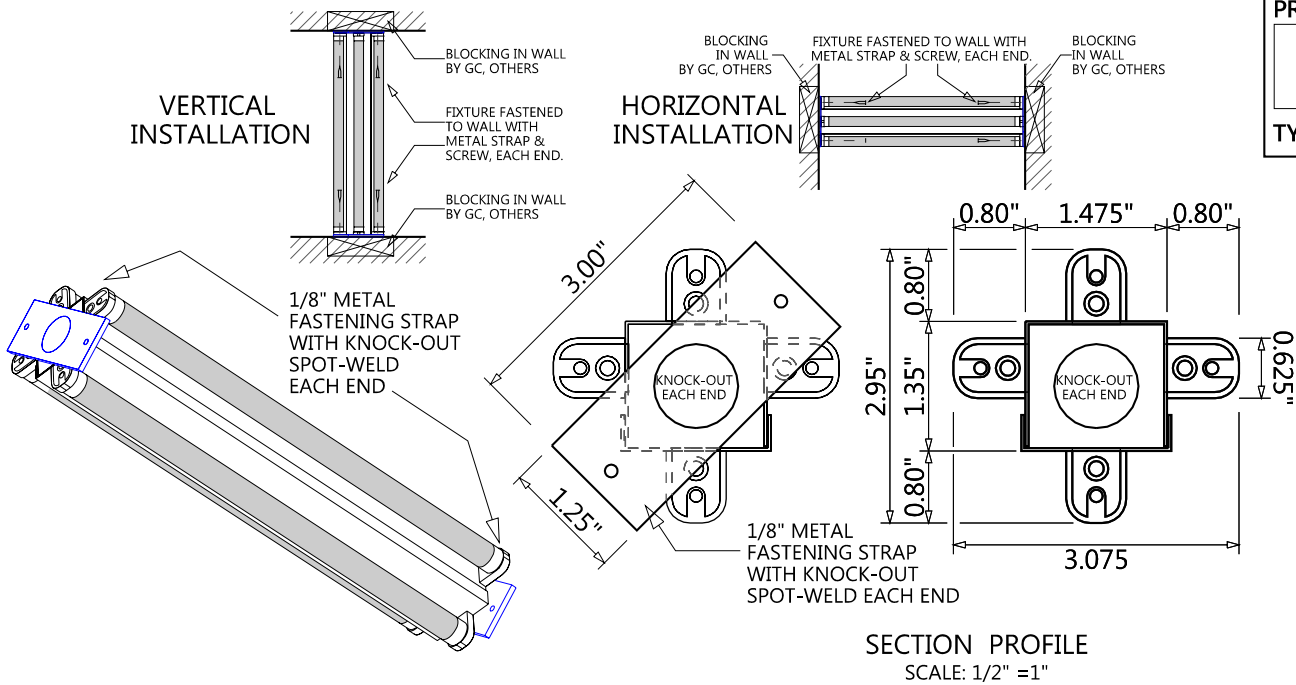


# QUAD T-5 (SURROUND) DECK-MOUNT FLUORESCENT STRIPLIGHT

**AL5290**

PROJECT NAME

TYPE



ACCESS	ELECTRIC	FINISH	CONSTRUCTION
ONE PIECE FACE-PLATE ACCESS WITH SCREWS. ROTATIONAL LOCKING LAMP HOLDERS	ELECTRONIC INTEGRAL INDIVIDUAL BALLAST, .98 POWER FACTOR, THD <10%.	HIGH GLOSS BAKED WHITE ENAMEL FINISH WITH REFLECTIVITY FACTOR OF 89% EFFICIENCY.	DIE-FORMED 20 GAUGE COLD ROLLED STEEL WITH ELECTRICALLY WELDED END PLATES AND MOUNTING STRAPS. KNOCK-OUTS ON EITHER END. MEETS CITY CODE REQUIREMENTS.

## ORDERING INFORMATION

SERIES	LAMP CODE			VOLTAGE	OPTIONS
AL5290				120 OR 277	
	HO LAMP CODE	LAMP CODE	OVERALL LENGTH		
	4-F80T5	4-F35T5	58 3/16"		D DIMMING
	4-F54T5	4-F28T5	46 5/16"		EM EMERGENCY BALLAST
	4-F39T5	4-F21T5	34 7/16"		C/P CORD & PLUG 18/3 SJ GROUNDED (SPECIFY BLACK OR WHITE UP TO 10')
	4-F24T5	4-F14T5	22 11/16"		CWB COLD WEATHER BALLAST 0 DEGREE
					DAMP DAMP LOCATION
					CC CUSTOM COLOR (SPECIFY)
					MOD MODIFICATION (CONSULT MFG)
<b>CONSULT FACTORY FOR CUSTOM LONG RUNS</b>					

**FOR LAMPING INFORMATION CLICK HERE**

ALL FIXTURES ARE UL LISTED AND BEAR IBEW LABELS. PRODUCTS SUBJECT TO CHANGE WITHOUT NOTICE.