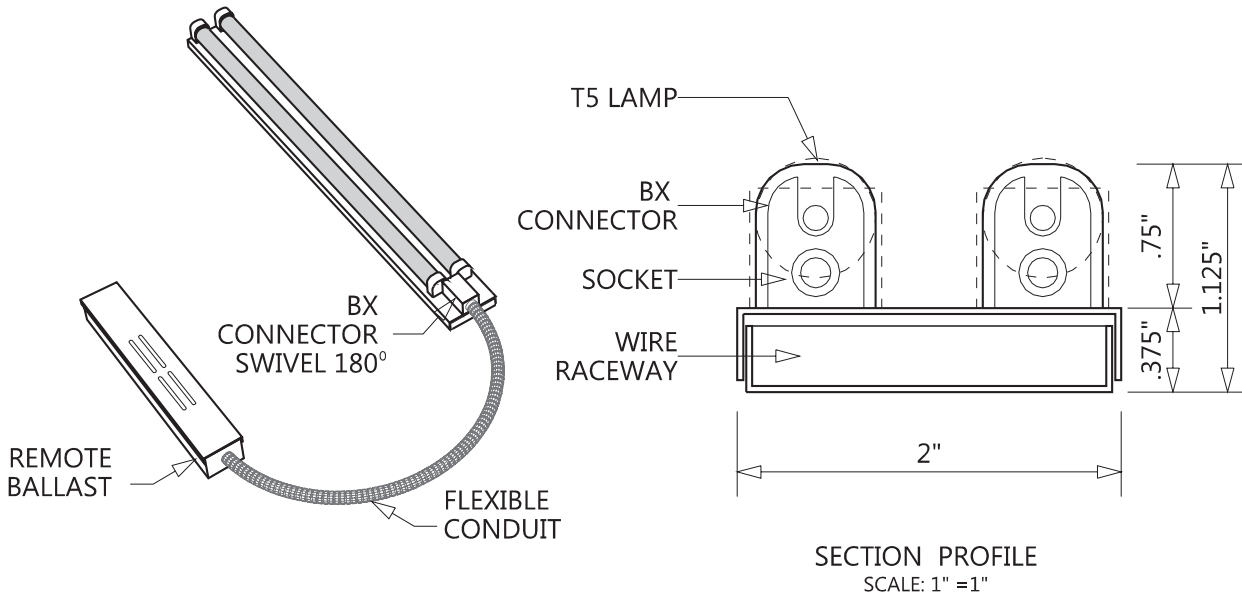


2" WIDE SMALL PROFILE DUAL FLUORESCENT T5 WITH REMOTE BALLAST

AL5330

PROJECT NAME

TYPE



REFLECTORS



R1



R2



R6

SECTION PROFILE
SCALE: 1" = 1"

ACCESS	ELECTRIC	FINISH	CONSTRUCTION
ONE PIECE FACE-PLATE ACCESS SCREWS. BX CONNECTOR SWIVELS 180°. ROTATIONAL LOCKING LAMP HOLDERS.	REMOTE BALLAST, SHIPPED SEPARATELY. .98 POWER FACTOR, THD <10%. 10' FIXTURE LEAD WIRE STANDARD ON ALL FIXTURES.	HIGH GLOSS BAKED WHITE ENAMEL FINISH WITH REFLECTIVITY FACTOR OF 89% EFFICIENCY.	DIE-FORMED 20 GAUGE COLD ROLLED STEEL WITH ELECTRICALLY WELDED END PLATES. 1 1/4" BX CONNECTOR TO FLEXIBLE CONDUIT, ONE END ONLY, INCLUDED IN OVERALL LENGTH OF FIXTURE.

ORDERING INFORMATION

SERIES	LAMP CODE		VOLTAGE	OPTIONS	
AL5330					
	HO LAMP CODE	LAMP CODE	120 OR 277	TW TANDEM WIRING (WHEN APPLICABLE) D DIMMING REF REFLECTOR (OPTIONS LISTED ABOVE) CR CUSTOM REFLECTOR (CONSULT MFG) EM EMERGENCY BALLAST CWB COLD WEATHER BALLAST 0 DEGREE DAMP DAMP LOCATION CC CUSTOM COLOR (SPECIFY) LLW LONGER LEAD WIRE (CONSULT MFG) MOD MODIFICATION (CONSULT MFG)	
	2-F80T5	2-F35T5			58 7/8"
	2-F54T5	2-F28T5			47 3/16"
	2-F39T5	2-F21T5			35 3/8"
	2-F24T5	2-F14T5			23 1/2"
		2-F8T5			13 1/4"
		2-F6T5	10 5/16"		
				CONSULT FACTORY FOR CUSTOM LONG RUNS	

[FOR LAMPING INFORMATION CLICK HERE](#)

ALL FIXTURES ARE UL LISTED AND BEAR IBEW LABELS. PRODUCTS SUBJECT TO CHANGE WITHOUT NOTICE.