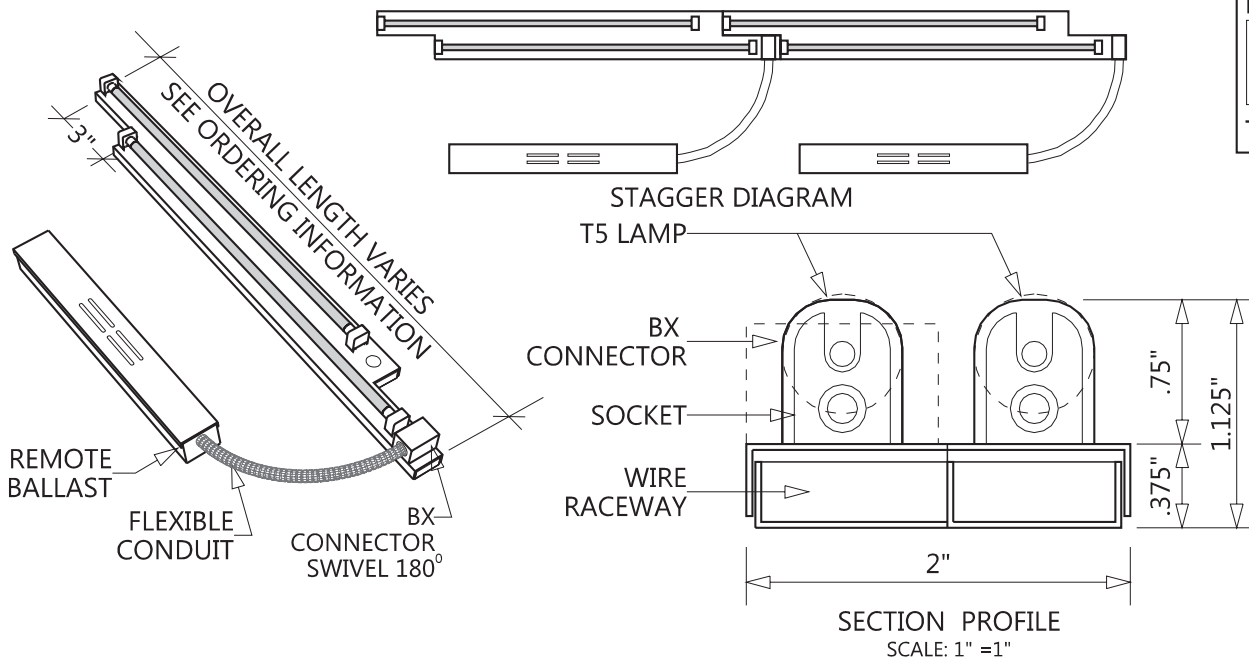


SMALL PROFILE 3" STAGGERED DUAL FLUORESCENT T-5 WITH REMOTE BALLAST

AL5360

PROJECT NAME

TYPE



ACCESS	ELECTRIC	FINISH	CONSTRUCTION
ONE PIECE FACE-PLATE ACCESS SCREWS. BX CONNECTOR SWIVELS 180°. ROTATIONAL LOCKING LAMP HOLDERS.	REMOTE BALLAST, SHIPPED SEPARATELY. .98 POWER FACTOR, THD <10%. 10' FIXTURE LEAD WIRE STANDARD ON ALL FIXTURES.	HIGH GLOSS BAKED WHITE ENAMEL FINISH WITH REFLECTIVITY FACTOR OF 89% EFFICIENCY.	DIE-FORMED 20 GAUGE COLD ROLLED STEEL WITH ELECTRICALLY WELDED END PLATES. 1 1/4" BX CONNECTOR TO FLEXIBLE CONDUIT, ONE END ONLY, INCLUDED IN OVERALL LENGTH OF FIXTURE.

ORDERING INFORMATION

SERIES	LAMP CODE			VOLTAGE	OPTIONS
AL5360	<input type="text"/>			<input type="text"/>	<input type="text"/>
	HO LAMP CODE	LAMP CODE	OVERALL LENGTH		
	2-F80T5	2-F35T5	61 7/8"	120 OR 277	TW TANDEM WIRING (WHEN APPLICABLE)
	2-F54T5	2-F28T5	50 3/16"		D DIMMING
	2-F39T5	2-F21T5	38 3/8"		CR CUSTOM REFLECTOR (CONSULT MFG)
	2-F24T5	2-F14T5	26 1/2"		EM EMERGENCY BALLAST
					CWB COLD WEATHER BALLAST 0 DEGREE
					DAMP DAMP LOCATION
					CC CUSTOM COLOR (SPECIFY)
					LLW LONGER LEAD WIRE (CONSULT MFG)
					MOD MODIFICATION (CONSULT MFG)

CONSULT FACTORY FOR CUSTOM LONG RUNS

FOR LAMPING INFORMATION CLICK HERE

ALL FIXTURES ARE UL LISTED AND BEAR IBEW LABELS. PRODUCTS SUBJECT TO CHANGE WITHOUT NOTICE.