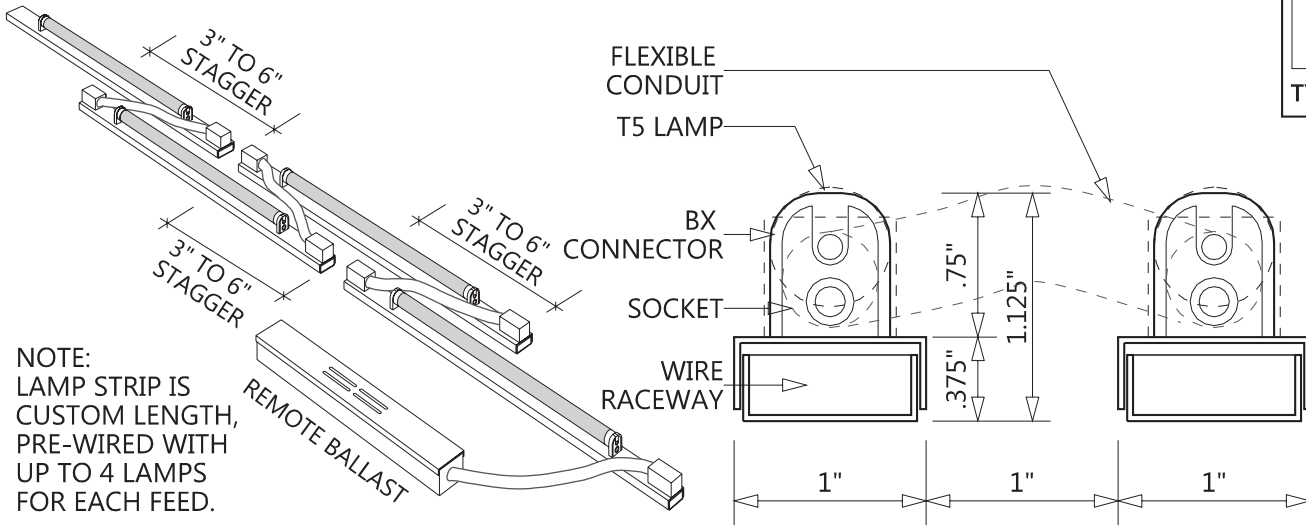


REMOTE BALLAST PREWIRED STRIP FLUORESCENT T5 CUSTOM LENGTH FOR COVES, 3" TO 6" STAGGER

AL5380

PROJECT NAME

TYPE



NOTE:
LAMP STRIP IS
CUSTOM LENGTH,
PRE-WIRED WITH
UP TO 4 LAMPS
FOR EACH FEED.

SECTION PROFILE
SCALE: 1/2" = 1"

ACCESS	ELECTRIC	FINISH	CONSTRUCTION
ONE PIECE FACE-PLATE ACCESS WITH SCREWS. BX CONNECTORS SWIVELS 180°. ROTATIONAL LOCKING LAMP HOLDERS	1, 2, 3 OR 4 LAMPS PREWIRED FOR 3" TO 6" STAGGER, ONE FEED AT END TO REMOTE BALLAST. UP TO 4 LAMPS/FEED. 10' FIXTURE LEAD WIRE STANDARD ON ALL FIXTURES.	HIGH GLOSS BAKED WHITE ENAMEL FINISH WITH REFLECTIVITY FACTOR OF 89% EFFICIENCY.	DIE-FORMED 20 GAUGE COLD ROLLED STEEL WITH ELECTRICALLY WELDED END PLATES. 1 1/4" BX CONNECTORS TO FLEXIBLE CONDUIT, EACH END, INCLUDED IN OVERALL LENGTH OF FIXTURE.

ORDERING INFORMATION

SERIES	LAMP CODE			VOLTAGE	OPTIONS
AL5380					
	HO LAMP CODE	LAMP CODE	OVERALL LENGTH	120 OR 277	D DIMMING CR CUSTOM REFLECTOR (CONSULT MFG) EM EMERGENCY BALLAST CWB COLD WEATHER BALLAST 0 DEGREE DAMP DAMP LOCATION LLW LONGER LEAD WIRE (CONSULT MFG) MOD MODIFICATION (CONSULT MFG)
MAXIMUM 4 LAMPS PER FEED MIX ANY 3 EXCEPT: F80T5 1 PER FEED	1-F80T5 1-F54T5 1-F39T5 1-F24T5	1-F35T5 1-F28T5 1-F21T5 1-F14T5	58 7/8" 47 3/16" 35 3/8" 23 1/2"		
CONSULT FACTORY FOR CUSTOM LONG RUNS					
FOR LAMPING INFORMATION CLICK HERE					

ALL FIXTURES ARE UL LISTED AND BEAR IBEW LABELS. PRODUCTS SUBJECT TO CHANGE WITHOUT NOTICE.