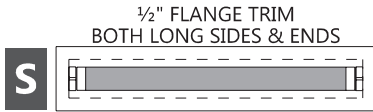


RECESSED FLUORESCENT T-8 SINGLE OR MULTIPLE UNIT WITH 1/2" SURROUNDING FLANGE TRIM

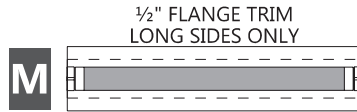
AL8045

PROJECT NAME

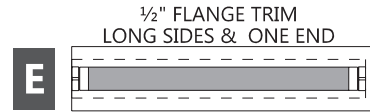
TYPE



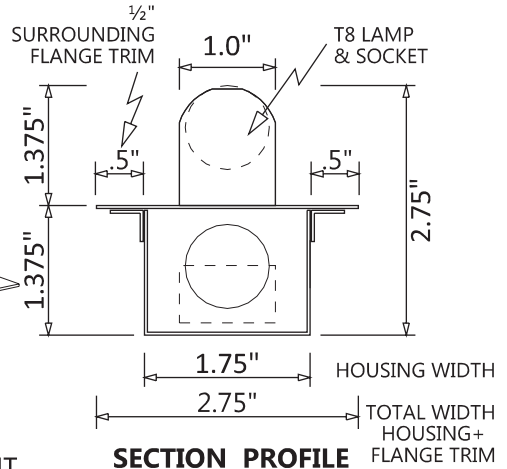
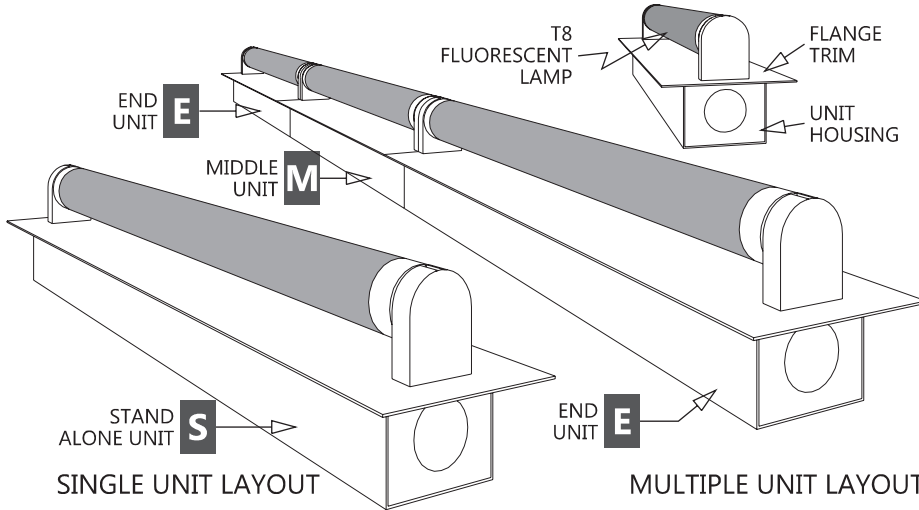
STAND ALONE UNIT



MULTIPLE: MIDDLE UNIT



MULTIPLE: END UNIT



ACCESS	ELECTRIC	FINISH	CONSTRUCTION
ONE PIECE FACE-PLATE ACCESS WITH SCREWS.	ELECTRONIC INTEGRAL INDIVIDUAL BALLAST, .98 POWER FACTOR, THD <10%.	HIGH GLOSS BAKED WHITE ENAMEL FINISH W/ REFLECTIVITY FACTOR OF 89% EFFICIENCY.	DIE-FORMED 20 GAUGE COLD ROLLED STEEL HOUSING WITH 1/2" EXTENDING FLANGE TRIM FACEPLATES FOR SINGLE OR MULTIPLE UNITS. ELECTRICALLY-WELDED END PLATES WITH KNOCK-OUTS ON EITHER END. MEETS CITY CODE REQUIREMENTS.

ORDERING INFORMATION

SERIES	LAMP CODES & UNIT LENGTHS	VOLTAGE	OPTIONS																																			
AL8045		120 OR 277																																				
	<table border="1"> <thead> <tr> <th>T8 LAMP CODE</th> <th>F17T8</th> <th>F25T8</th> <th>F32T8</th> <th>F40T8</th> </tr> </thead> <tbody> <tr> <td>S HOUSING UNIT LENGTH</td> <td>24"</td> <td>36"</td> <td>48"</td> <td>60"</td> </tr> <tr> <td>S + FLANGE TRIM TOTAL LENGTH</td> <td>25"</td> <td>37"</td> <td>49"</td> <td>61"</td> </tr> <tr> <td>M HOUSING UNIT LENGTH</td> <td>24"</td> <td>36"</td> <td>48"</td> <td>60"</td> </tr> <tr> <td>M + FLANGE TRIM TOTAL LENGTH</td> <td>24"</td> <td>36"</td> <td>48"</td> <td>60"</td> </tr> <tr> <td>E HOUSING UNIT LENGTH</td> <td>24"</td> <td>36"</td> <td>48"</td> <td>60"</td> </tr> <tr> <td>E + FLANGE TRIM TOTAL LENGTH</td> <td>24 1/2"</td> <td>36 1/2"</td> <td>48 1/2"</td> <td>60 1/2"</td> </tr> </tbody> </table>	T8 LAMP CODE	F17T8	F25T8	F32T8	F40T8	S HOUSING UNIT LENGTH	24"	36"	48"	60"	S + FLANGE TRIM TOTAL LENGTH	25"	37"	49"	61"	M HOUSING UNIT LENGTH	24"	36"	48"	60"	M + FLANGE TRIM TOTAL LENGTH	24"	36"	48"	60"	E HOUSING UNIT LENGTH	24"	36"	48"	60"	E + FLANGE TRIM TOTAL LENGTH	24 1/2"	36 1/2"	48 1/2"	60 1/2"		<ul style="list-style-type: none"> D DIMMING CR CUSTOM REFLECTOR (CONSULT MFG) EM EMERGENCY BALLAST CWB COLD WEATHER BALLAST 0 DEGREE DAMP DAMP LOCATION CC CUSTOM COLOR (SPECIFY) MOD MODIFICATION (CONSULT MFG)
T8 LAMP CODE	F17T8	F25T8	F32T8	F40T8																																		
S HOUSING UNIT LENGTH	24"	36"	48"	60"																																		
S + FLANGE TRIM TOTAL LENGTH	25"	37"	49"	61"																																		
M HOUSING UNIT LENGTH	24"	36"	48"	60"																																		
M + FLANGE TRIM TOTAL LENGTH	24"	36"	48"	60"																																		
E HOUSING UNIT LENGTH	24"	36"	48"	60"																																		
E + FLANGE TRIM TOTAL LENGTH	24 1/2"	36 1/2"	48 1/2"	60 1/2"																																		
	<p>UNIT & TOTAL WIDTHS IDENTICAL ON ALL UNITS: 1 3/4" & 2 3/4" ~REFER TO SECTION PROFILE~</p>																																					
<p>FOR LAMPING INFORMATION CLICK HERE</p>																																						

ALL FIXTURES ARE UL LISTED AND BEAR IBEW LABELS. PRODUCTS SUBJECT TO CHANGE WITHOUT NOTICE.